

Cryo Oven Thermometry

Connector #1:

Pin assignment: A-B (Blue wires color) , C-D (Red wires color)

Type of thermometer: PT-100 platinum resistance thermometers (PRTs), uncalibrated

Model:PT-103

Serial No: P36683

Location: Radiation Shield

Pin assignment: E-F (Yellow wires color), G-H (Black wires color)

Type of thermometer: PT-100 platinum resistance thermometers (PRTs), Calibrated

Model:PT-103-2S

Serial No: P40484

Location: Aluminum block for locking sample rod

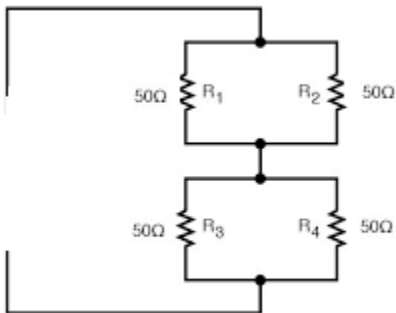
Pin assignment: I-J (Orange wires color)

Type of heater: Cartridge heater(watlow)

Spec: 50V, 50W, Watlow firerod cartridge heater, 1/8"x1.25"

Quantity: 4

Configuration: 2 series pairs of parallel heaters



Connector #2:

Pin assignment: A-B(Black wires color), C-D (Yellow wires color)

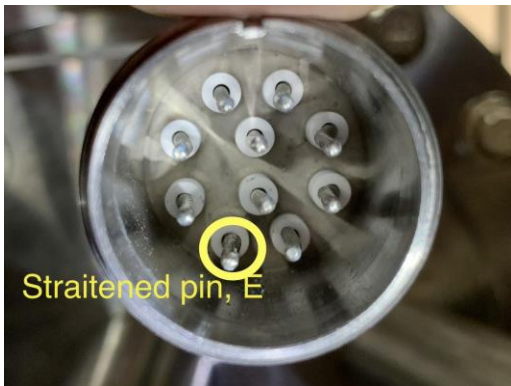
Type of thermometer: PT-100 platinum resistance thermometers (PRTs), uncalibrated

Model: PT-103

Serial No: unknown!

Location: Copper heater block

Pins E,F,G,H,I, and J are spare. Please note that pin E was bent and got straitened



Cryo-Oven Sample Ladder Thermometers:

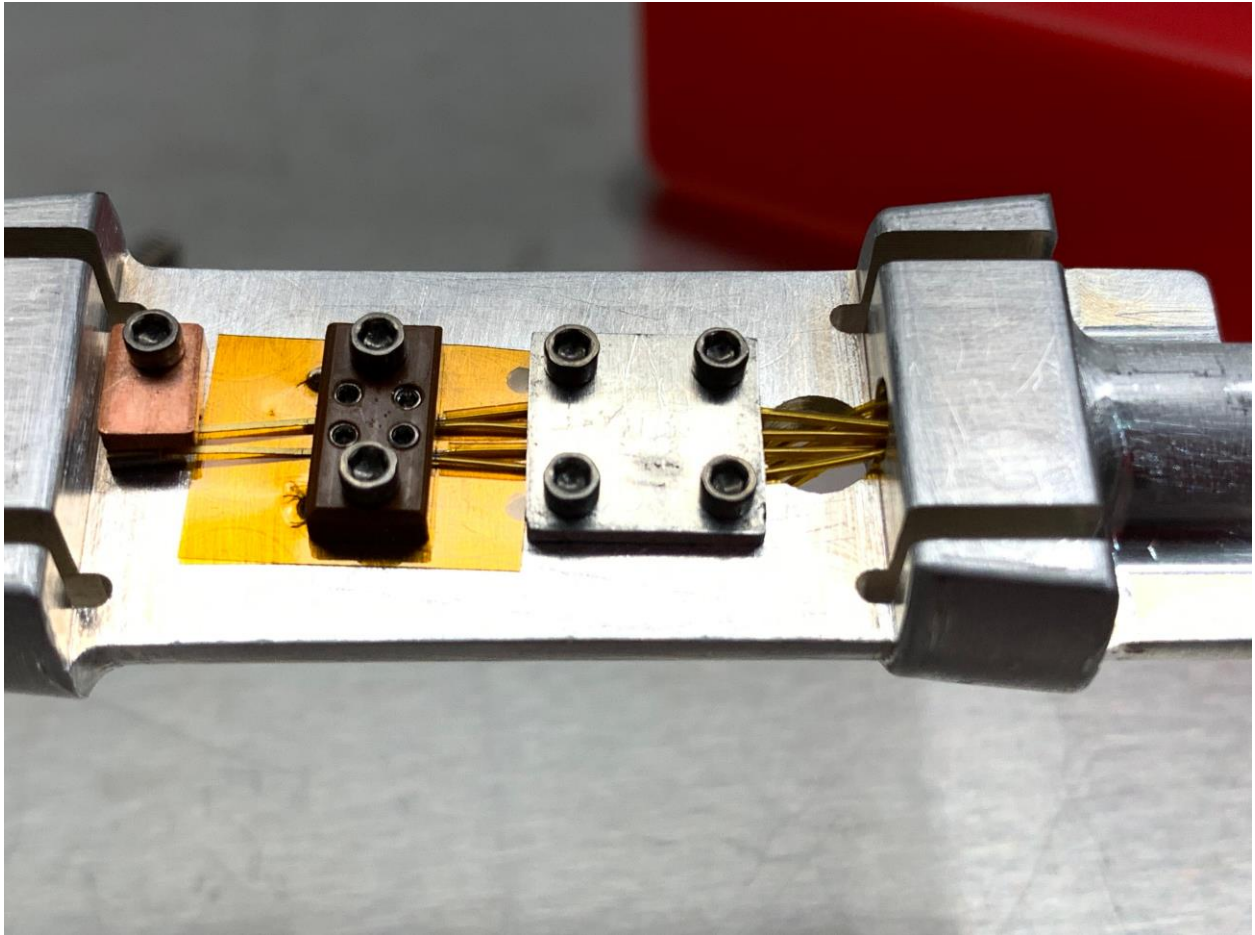
Pin assignment: A-B: I+,V+ (Red wires color) ; C-D: I-,v- (Blue wires color)

Type of thermometer: Silicon 600 series, SD package, Uncalibrated

Model: DT-670B-SD

Serial No: D6069862

Location: Sample Ladder



Pin assignment: E-F: (Yellow wires color) ; G-H: (Black wires color)

Type of thermometer: PT-100 platinum resistance thermometers (PRTs), Calibrated

Model: PT-103-2S

Serial No: P36556

Location: Sample Ladder

