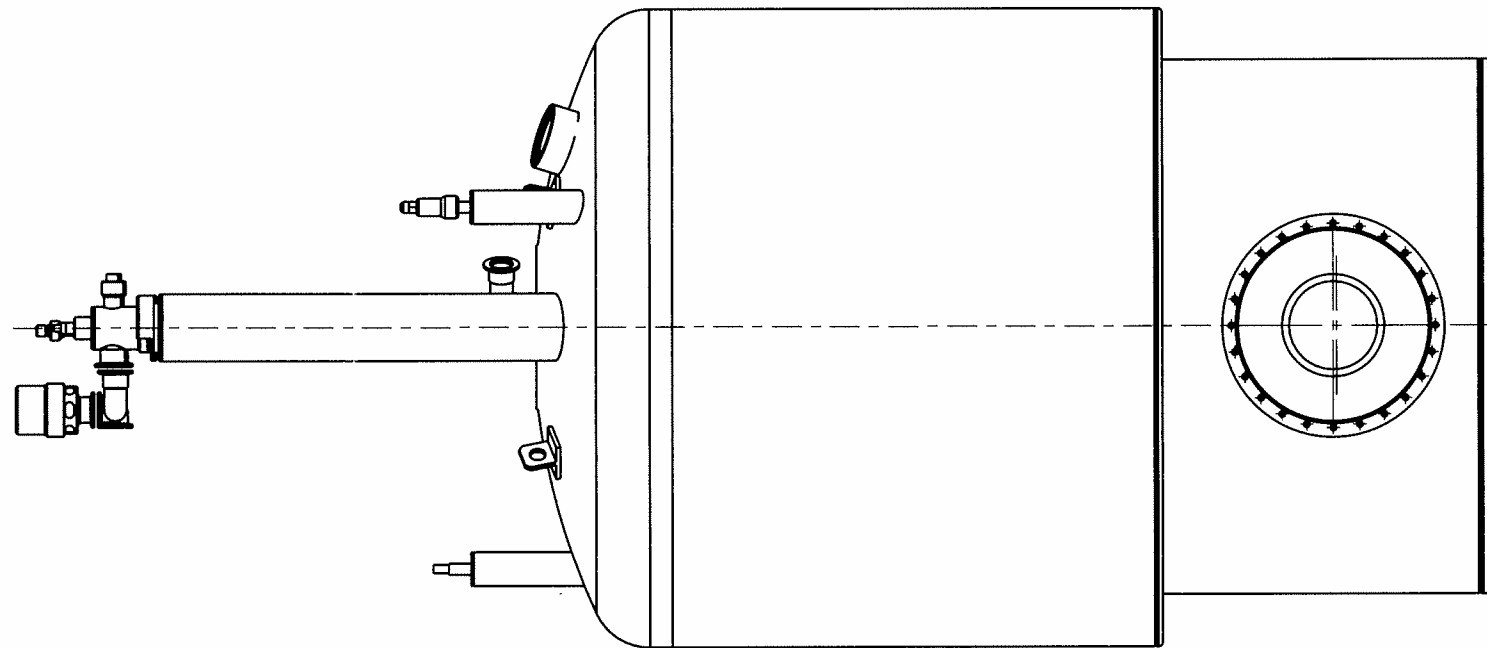
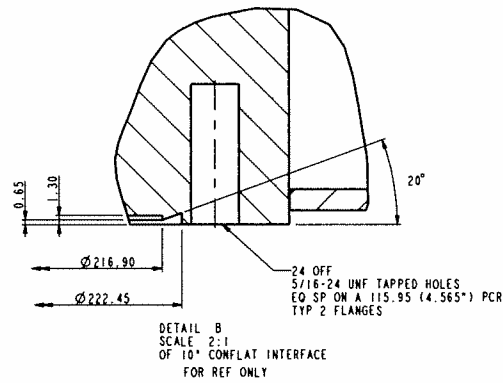
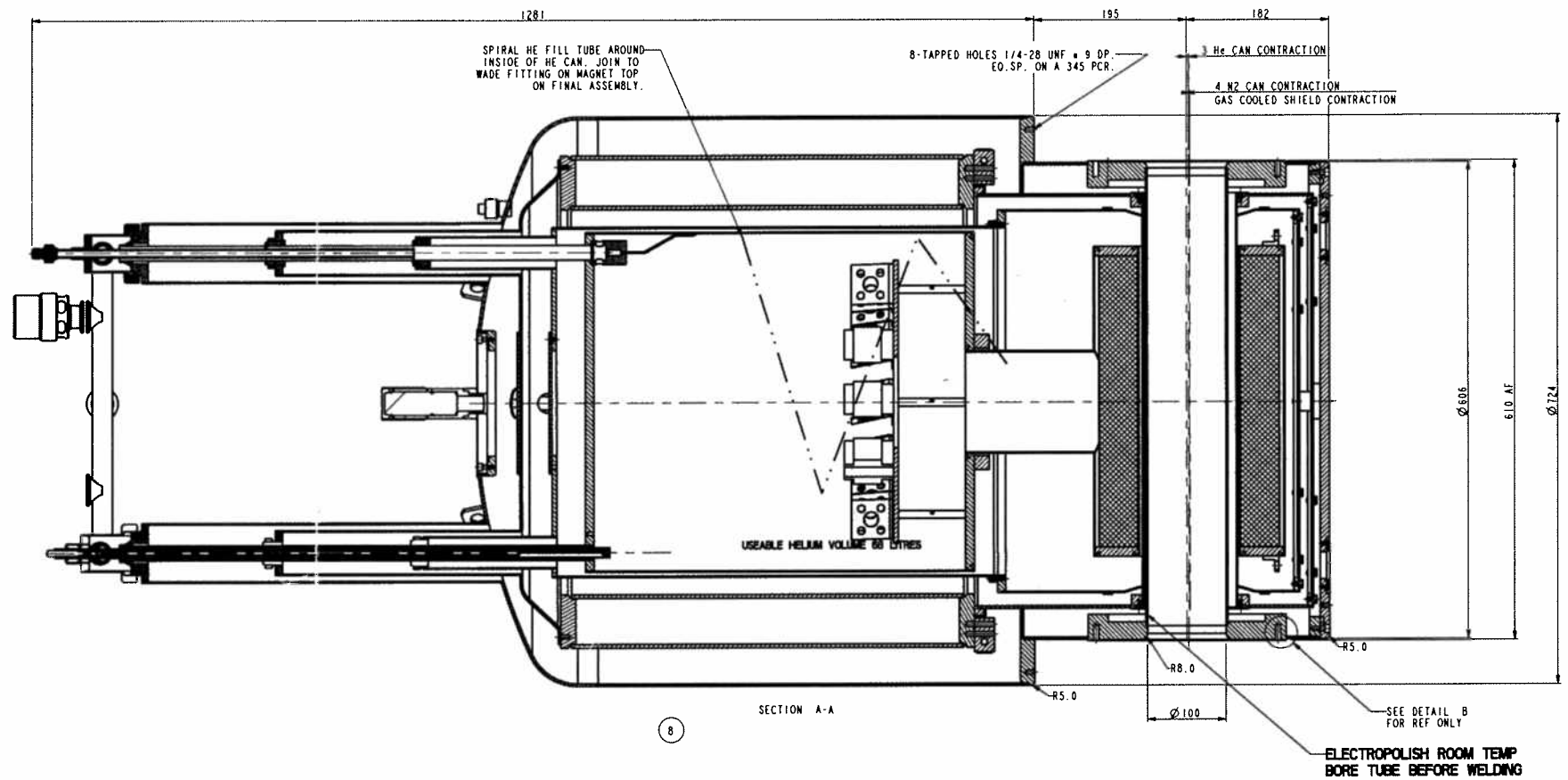
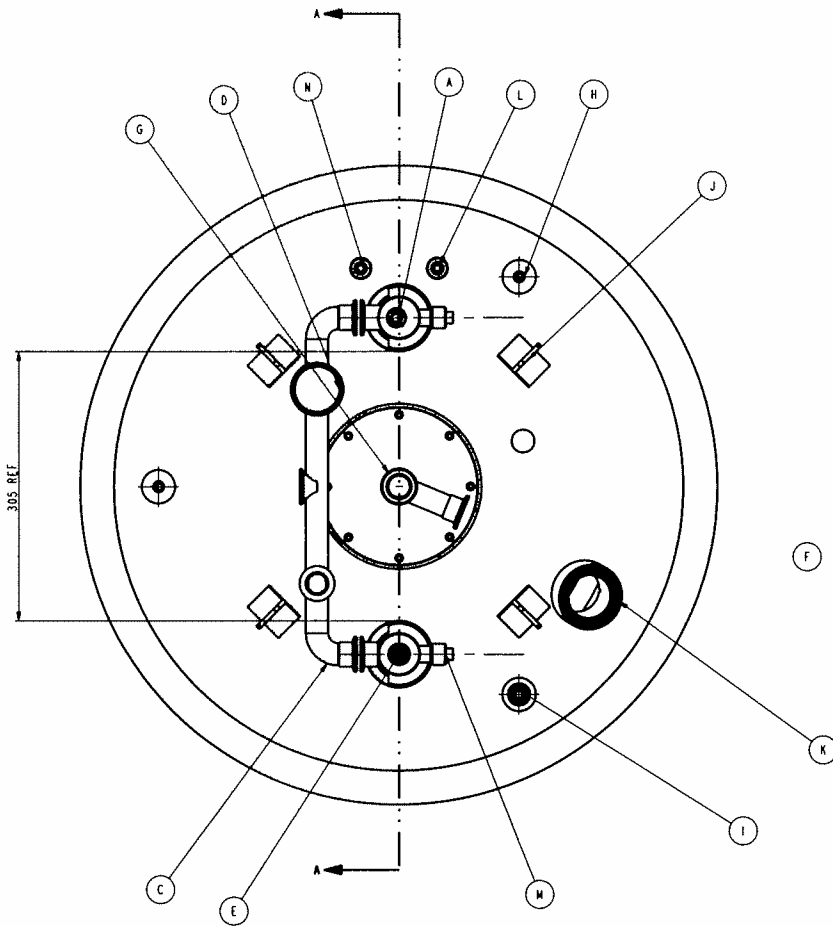


A1 ORIGINAL SIZE

THIRD ANGLE PROJECTION



| MAGNET SPECIFICATION | |
|----------------------|-------------------------------|
| 1ST FIELD | 9.0T AT 4.2K |
| COLD BORE | 131.0mm |
| HOMOGENEITY | 0.002% OVER 10mm dia |
| PERSISTANCE | 1 PART IN 10,000,000 PER HOUR |
| CURRENT | < 100 AMPS |

| LEGEND | SIZE/QTY |
|---|----------|
| A TRANSFER TUBE ENTRY | Ø9.5 |
| B HE LEVEL PROBE WIRING | 4 PIN |
| C EXHAUST MANIFOLD | NW 25 |
| D QUENCH PRESSURE RELIEF VALVE | NW 25 |
| E FIXED CURRENT LEAD | 1 OFF |
| F HELIUM NON RETURN VALVE | 1 OFF |
| G ISOLATION VACUUM VALVE | NW 25 |
| H N2 FILL/VENT | 2 OFF |
| I N2 SAFETY/LEVEL PROBE | 1 OFF |
| J LIFTING BRACKETS | 4 OFF |
| K OVC PRESSURE RELIEF VALVE | 1 OFF |
| L R.T. BORE TUBE HEATER WIRING ENTRY | 4 PIN |
| M MAGNET SWITCH HEATER AND DIAGNOSTICS | 10 PIN |
| N R.T. BORE TUBE TEMP SENSOR WIRE ENTRY | 10 PIN |

| R.T. BORE TUBE HEATER 4 PIN FISCHER CONNECTOR L | |
|--|--------------------|
| PIN WIRE | FUNCTION |
| 1 22 swg CU | THERMOCOAX ELEMENT |
| 2 22 swg CU | THERMOCOAX ELEMENT |
| 3 | |
| 4 | |

| 10 PIN FISCHER CONNECTOR "M" (RED) | |
|------------------------------------|----------------------|
| PIN WIRE | FUNCTION |
| 1 | |
| 2 | |
| 3 36 swg CONST | COMMON |
| 4 | |
| 5 | |
| 6 36 swg CONST | A/B ON MAGNET BOTTOM |
| T | |

| R.T. BORE TUBE TEMP SENSOR 10 PIN FISCHER CONNECTOR N | |
|--|-----------------|
| PIN WIRE | FUNCTION |
| 1 | |
| 2 | |
| 3 40 swg CU | PT100 SENSOR I+ |
| 4 40 swg CU | PT100 SENSOR V+ |
| 5 40 swg CU | PT100 SENSOR V- |
| 6 40 swg CU | PT100 SENSOR I- |
| 7 40 swg CU | PT100 SENSOR I+ |
| 8 40 swg CU | PT100 SENSOR V+ |
| 9 40 swg CU | PT100 SENSOR V- |
| 10 40 swg CU | PT100 SENSOR I- |

| 4 PIN FISCHER CONNECTOR "P" | |
|-----------------------------|----------|
| PIN WIRE | FUNCTION |
| 1 41 swg CU | PROBE I+ |
| 2 41 swg CU | PROBE V+ |
| 3 41 swg CU | PROBE V- |
| 4 41 swg CU | PROBE I- |

| VOLUMES | |
|----------|----------------------|
| OVC 225L | HELIUM LEVEL PROBE |
| N2 50L | ACTIVE LENGTH 444mm |
| He 82L | OVERALL LENGTH 458mm |

THE HEATER BELONGS TO ORFORD INSTRUMENTS AND IS THEREIN OR CONSTRUCTION THAT IT IS NOT COPIED, REPRODUCED OR VENDOR'S FITTING IMPLY ON OR PART TO A THIRD PARTY WITHOUT PRIOR CONSENT OF ORFORD INSTRUMENTS.
 ORFORD INSTRUMENTS
 10000 BUCKINGHAM ROAD
 ART BRON, OGDEN, ONTARIO, CANADA
 A1A VERSION : 3

DO NOT SCALE IF IN DOUBT ASK
 REMOVE ALL BURRS AND SHARP EDGES

TOLERANCES UNLESS STATED
 LINEAR ± 1mm
 ANGULAR ± 1°

SURFACE FINISH
 NE
 UNLESS STATED
 mm UNLESS STATED

| DESCRIPTION | | CUSTOMER SYSTEM G.A. 44801 KIEFL | |
|-------------|-----------|----------------------------------|-----------|
| SCALE | 1:4 | DATE | 01-Dec-99 |
| DRAWN | R. MACKAY | CHECKED | |
| APPROVED | | DRIVING NUMBER | PRA4583 |
| REV | 10 | SHEET | 1 OF 1 |

| Item | Part No | Description | Length | Qty |
|------|---------|-----------------------------|--------|-----|
| 4 | PRA4589 | S9/132/15 HORIZONTAL MAGNET | | 1 |
| 3 | PRA4587 | S9/132/15 HORIZONTAL MAGNET | | 1 |
| 2 | PRA4585 | S9/132/15 HORIZONTAL MAGNET | | 1 |
| 1 | PRA4584 | S9/132/15 HORIZONTAL MAGNET | | 1 |